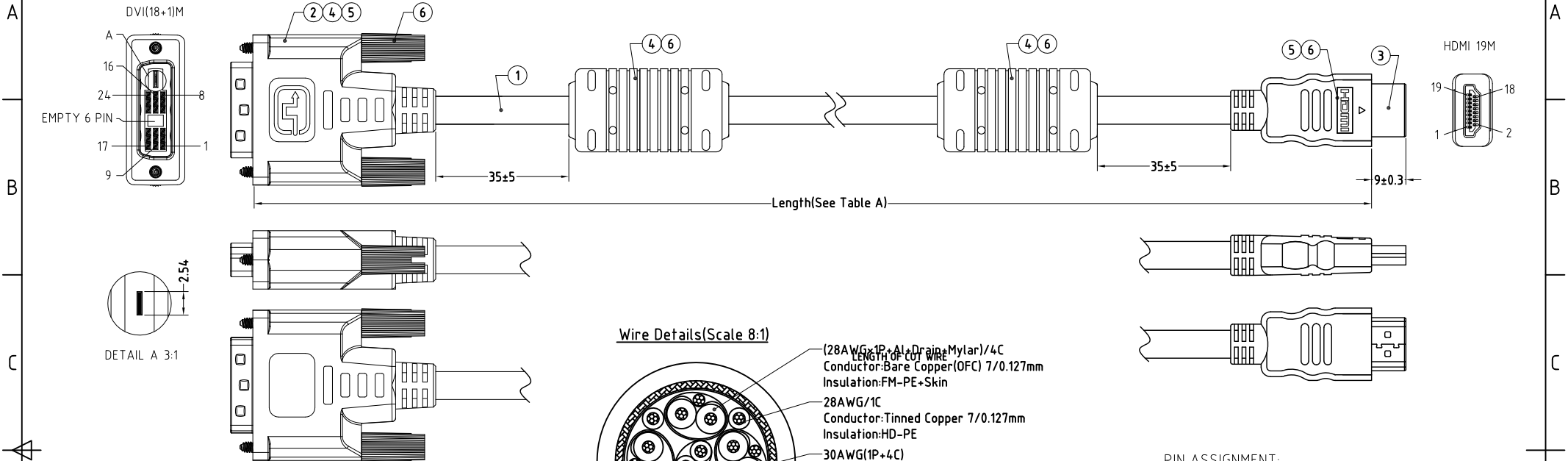


**RoHS Compliant**

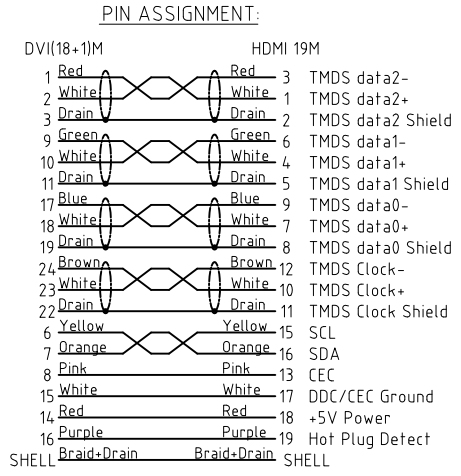
RevNo	Revision note	Date	Signature	Checked
1.0	Release to product	09/10/21	Daniel	



**Electrical character:**  
 1)100% Open/short/Intermittent testing  
 2)Withstanding voltage:DC 300V AT 10ms.  
 3)Insulation resistance:10M Ohm(min)  
 4)Residual operating current:  
 a.<1M=0.5mA; b.1.0~2.0M=1.0mA;  
 c.2.0~3.0M=2.0mA; d.3.0~5.0M=3.0mA;  
 e.5.0~10M=5.0mA; f.10~15M=7.0mA;  
 5)Conductive resistance:5 Ohm

**TABLE A**

HL P/N	LENGTH	LENGTH OF CUT WIRE
CAH1DS0828-0001	[25ft] 7620±150mm	7620±20mm
CAH1DS0828-0002	[50ft] 15240±300mm	15240±50mm



7	Thumbscrew	#4-40UNC Ø2.8xL4.5mm	HSC11001	2 PCS
6	Overmold	PVC 70Pa Black UL94V-0	PS02-701101	N/A
5	Innermold	PE Low density	PS00-000201	N/A
4	Fe-core	17.5(OD)x9.5(ID)x28.5(L)mm	HFC1-13001	2 PCS
3	HDMI_Conn	HDMI 19P/M 15u"/Au Black Shell-Steel G/F Plated Solder type	C010P-001	1 PCS
2	DVI_Conn	DVI(18+1)M G/F Black Shell G/F Plated Solder molding type	C021P-001	1 PCS
1	Cable	UL20276 (28#AS/1P+A+D+M)/4C+28#(1P+4C)+26#/1C+A+B(Al-mg65%) OD7.3mm PVC Jacket:Black Impedance:100+/-10 Ohm	W56-2801507311403-xxx	
NO.	PART NAME	SPEC DESCRIPTION	PART P/N	REMARK

Mould number:	Customer: C1001	Customer P/N: -	Article No./ DWG:HL-EN-101	
HLM1DVI101-1(1) HLM1DVI101-2(1) HLM1HDMI108-1(1) HLM1HDMI108-2 HLM1285175301-1	Designed by: Daniel Cho	Checked by: Daniel Cho	Approved by - date: Jession - 09/10/21	File name: Product DWG.
<b>Packing file:</b> *****				Name: HDMI to DVI Cable 28AWG, W/Fe-core
This drawing contains information that is proprietary to HaiYing Electronics Limited incorporated and should not be used without written permission			Number: CAH1DS0828-0001~2	Edition: 1.0
			Scale: 1:1	Unit: mm
			Sheet: 1/1	A3